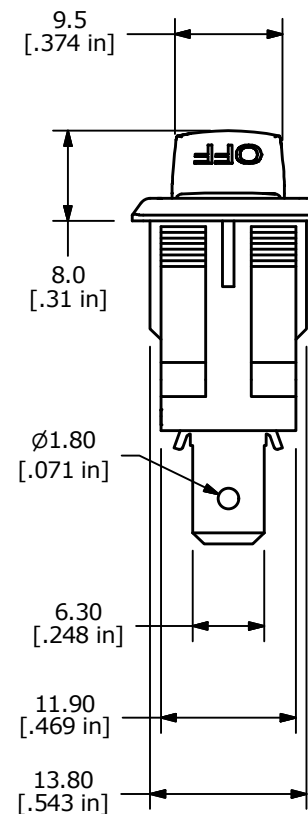
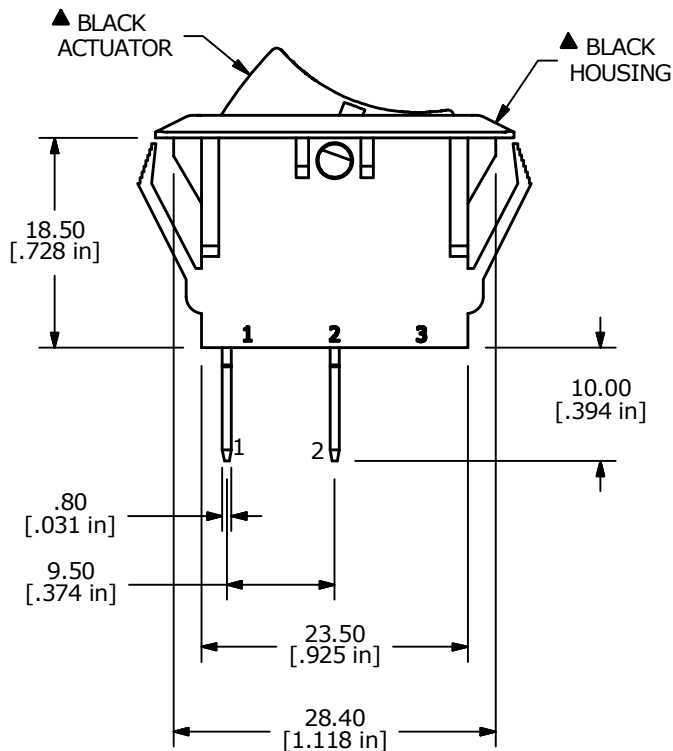
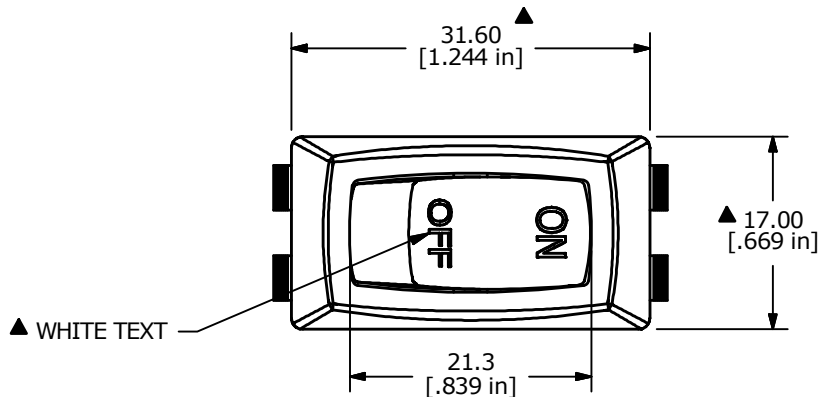


SWITCH FUNCTION	
POS. 1	POS. 2
OFF	ON
NONE	1-2



- NOTES:
- ALL DIMENSIONS IN MM [INCH]
 - GENERAL TOLERANCE: X.X=±0.4
X.XX=±0.25
 - TERM. NOS. FOR REF. ONLY
 - RATING: 15A @125VAC [cURus]
16(4)A @250VAC T125/55 [ENEC]
 - ELECTRICAL LIFE: 10,000 CYCLES MIN.
 - CONTACT RESISTANCE: 20 mΩ MAX.
 - OPERATING TEMP: -20°C TO 65°C [cURus, CSA]
-20°C TO 105°C [cURus]
0°C TO 85°C [ENEC, VDE]
0°C TO 125°C [ENEC, VDE]
 - DIELECTRIC STRENGTH: >1,000V AC 1MIN
 - INSULATION RESISTANCE: 100 MΩ @ 500VDC
 - ▲ DENOTES CRITICAL PARAMETER.
 - 2011/65/EU (ROHS) COMPLIANT.



C	23370	REMOVED 20A @125VAC 3/4HP RATING	5/17/18	MJR
B	23175	UPDATED RATINGS	1/19/18	MJR
REV	PCR NO	DESCRIPTION	DATE	BY

TITLE RSC141C1123				
SCALE 3:2	DATE 11/15/2013	DR EBP	DWG 38-RSC141C1123	REV C